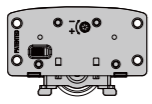




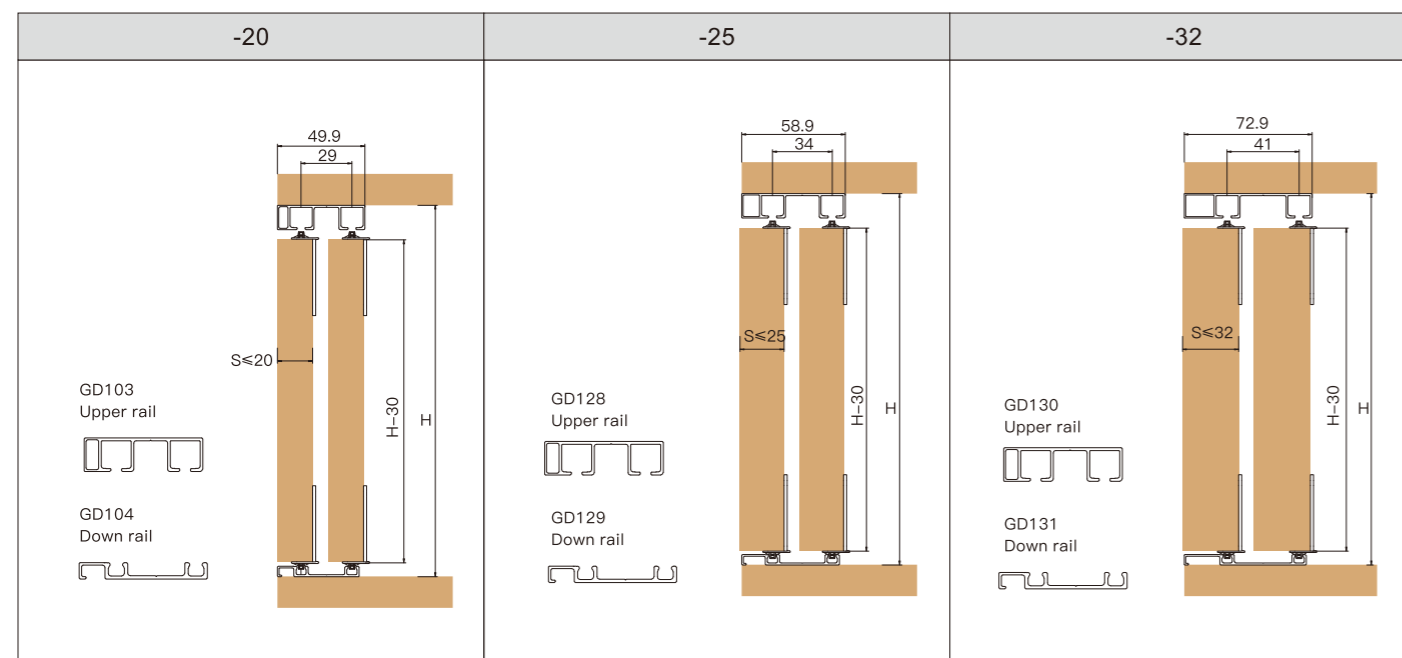
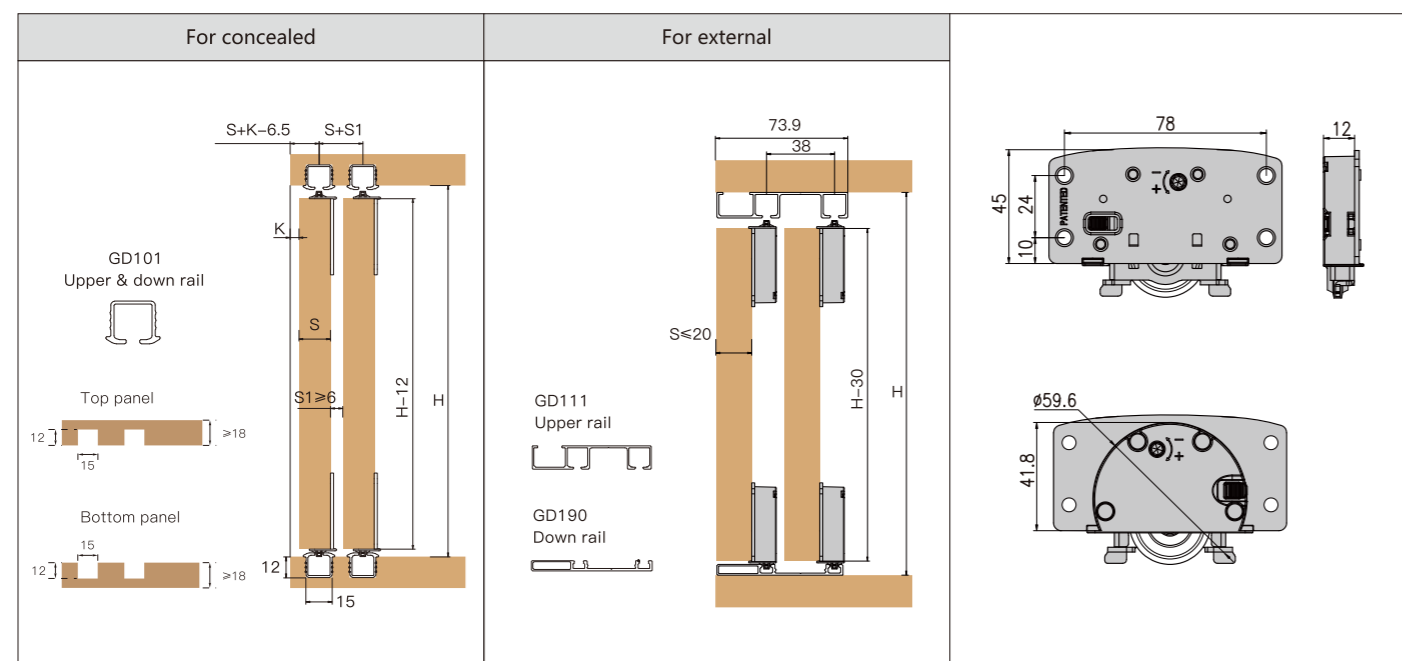


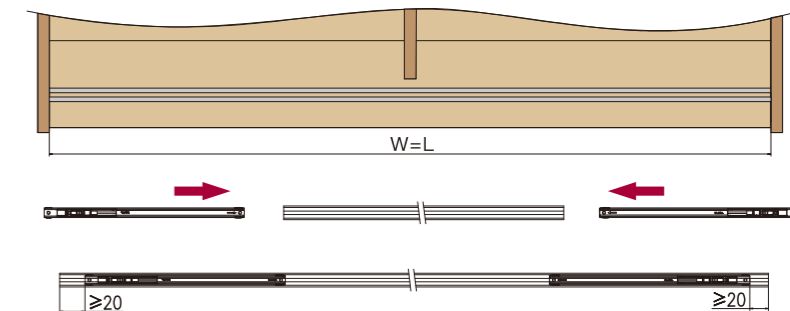
Picture					
Accessories	Runner	Damper	ST4*16 Cross head tapping screws	2mm Allen key	4mm Allen key
2 DOORS double soft closing(4 Dampers)	8	4	32	1	1
3 DOORS double soft closing(4 Dampers)	12	4	48	1	1

Wardrobe size

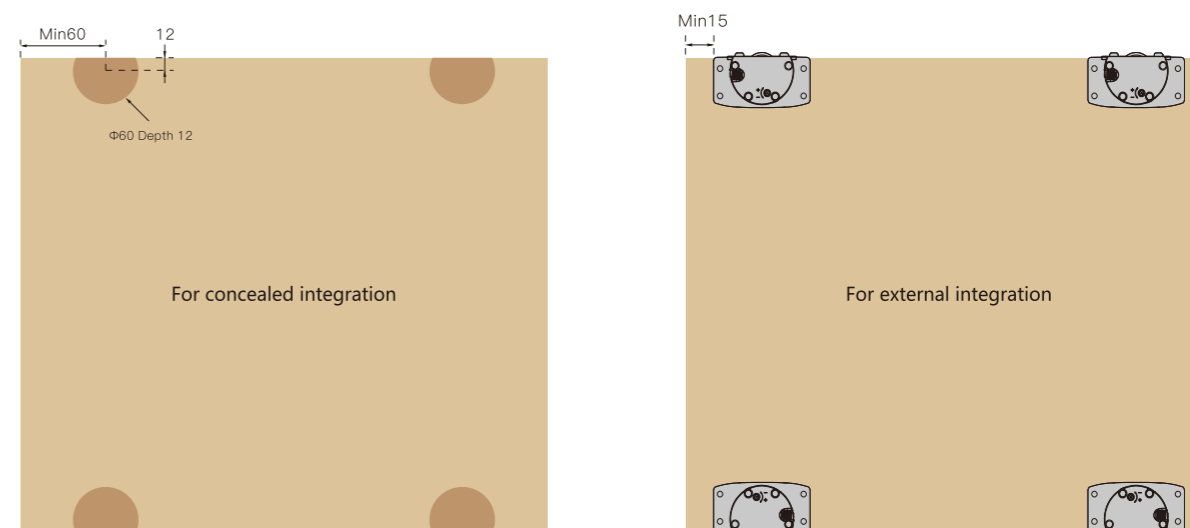


Step 1. Damper Installation and Rail Installation

W=L
W=Cabinet Width L=Rail Length



Step 2. Runner installation



Step 3. Door panel installation and Door gap regulation

