



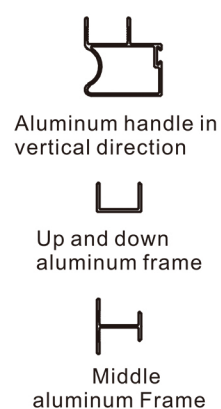
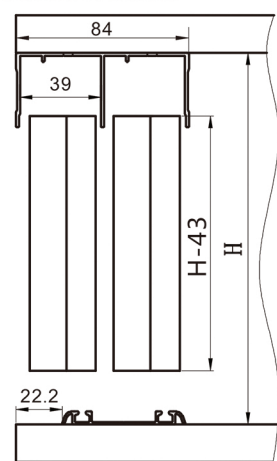
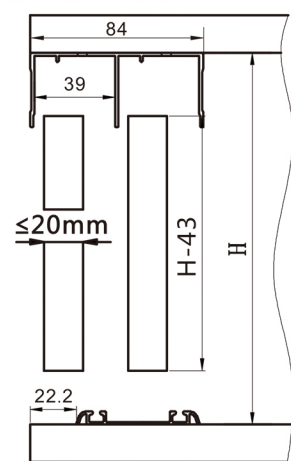
Accessories	Picture	2 Door	3 Door	Accessories	Picture	2 Door	3 Door
Right upper runner		2PCS	3PCS	Damper		4PCS	4PCS
Left upper runner		2PCS	3PCS	ST3.5X13 Cross recessed pan head tapping screw		32PCS	48PCS
Down runner		4PCS	6PCS	ST4X30 Cross recessed flat head tapping screw		8PCS	8PCS
Spacer		8PCS	12PCS	Upper rail		Down rail	

Wardrobe size calculate & Rail installation

Item number: **11006** (apply to wood door, Aluminum frame door)

Pay attention to the installation direction of the rail

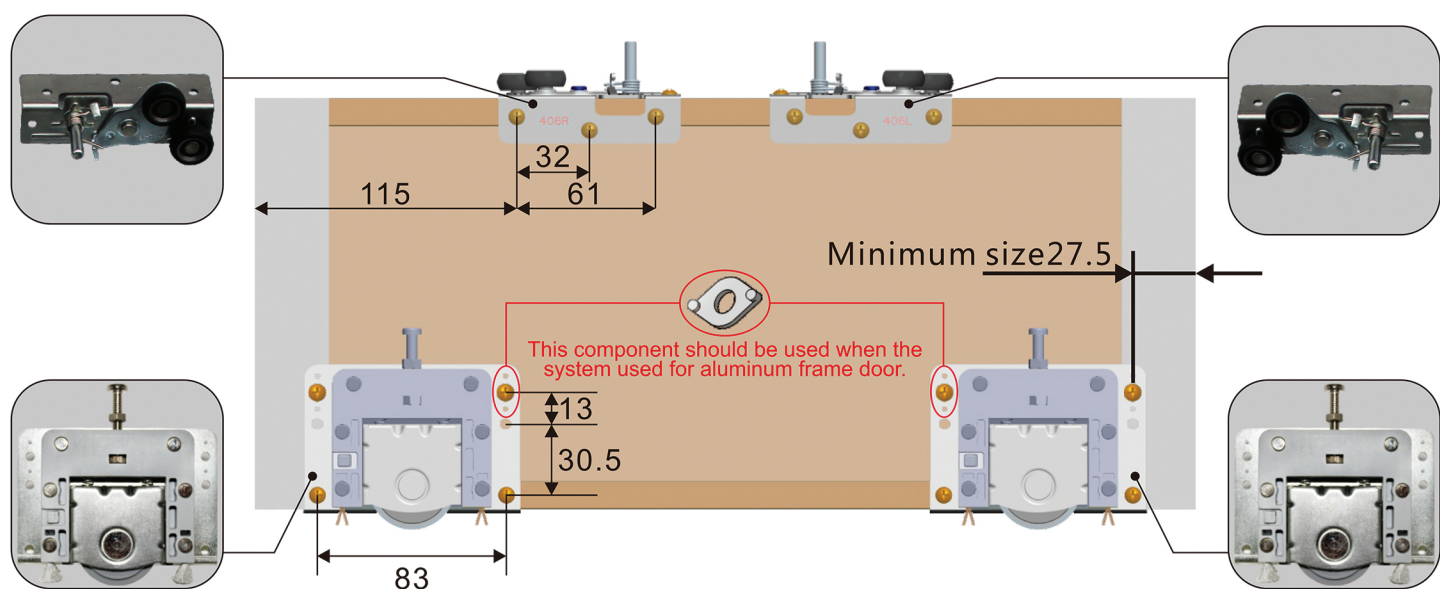
Pay attention to the installation direction of the rail



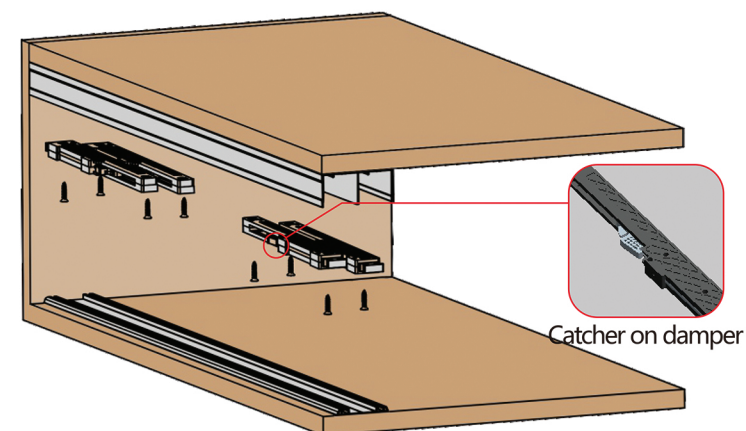
درب چوب

فریم آلومینیوم

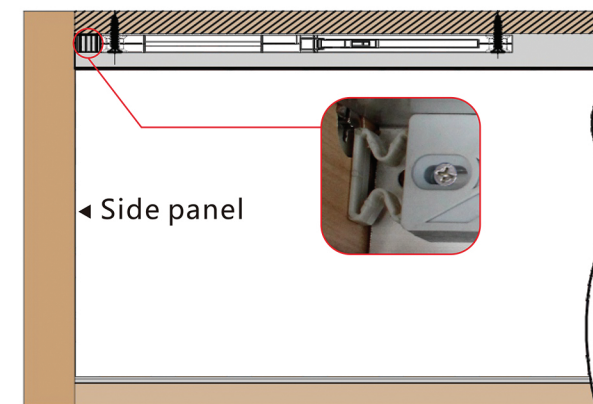
Screw position on panel door & Accessories installation



Drill the hole on damper and fix according to instruction

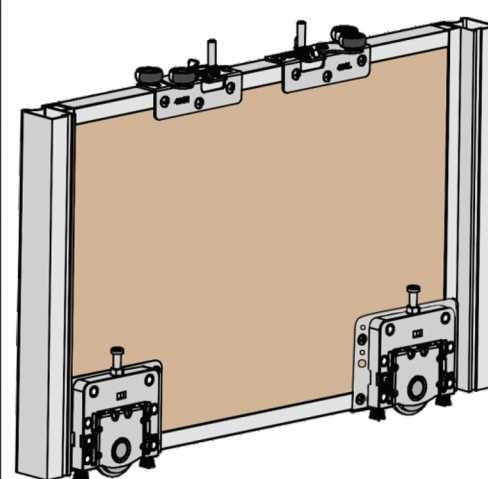


Catcher on damper toward outside

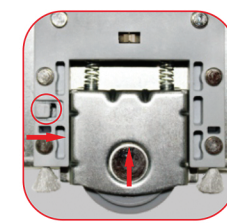


Damper ending touch the side panel and fixed

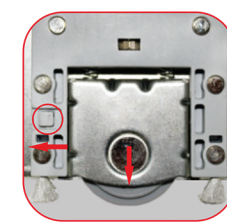
Door panel installation



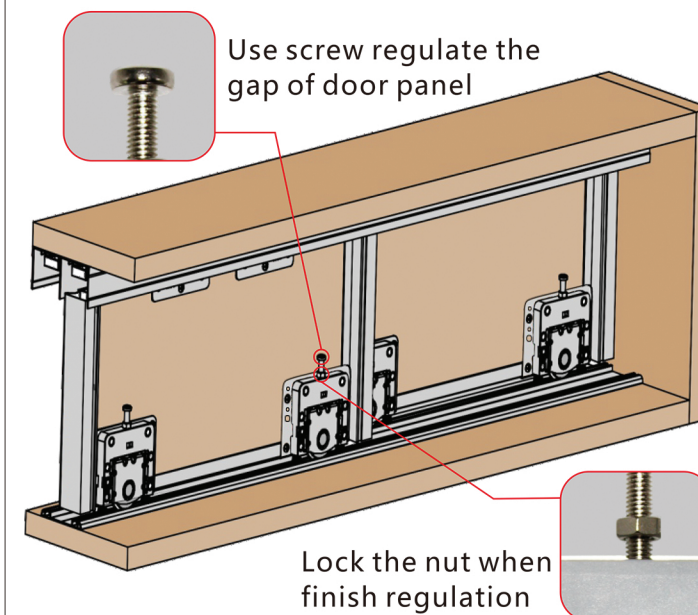
Lock the button when load the door
Loose the button when unload the door



Loose the button



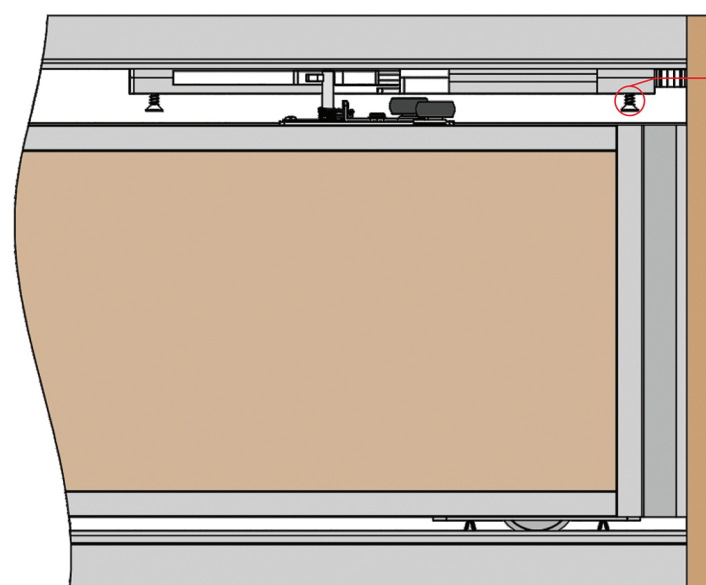
Lock the button



Use screw regulate the gap of door panel

Lock the nut when finish regulation

Damper regulation



Loose the damper and make it at proper position