

UNIBOX

► H80

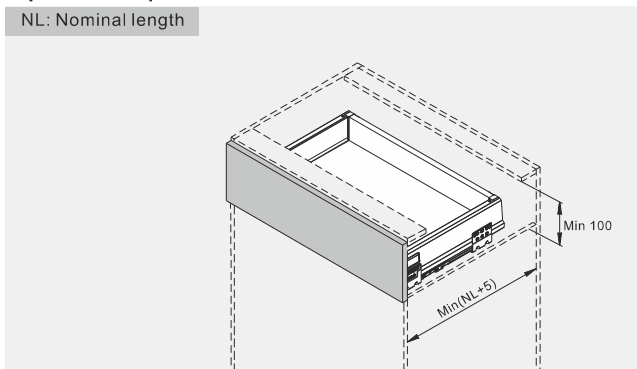


Full extension with self closing and soft closing

- Steel drawer side H=80mm
- Concealed runners
- Epoxy coated
- Load capacity of 35kg
- Smooth rolling mechanism
- Quick assembly
- Up and down , left and right , 4 dimensional adjustment
- Mat: steel

Space required

NL: Nominal length

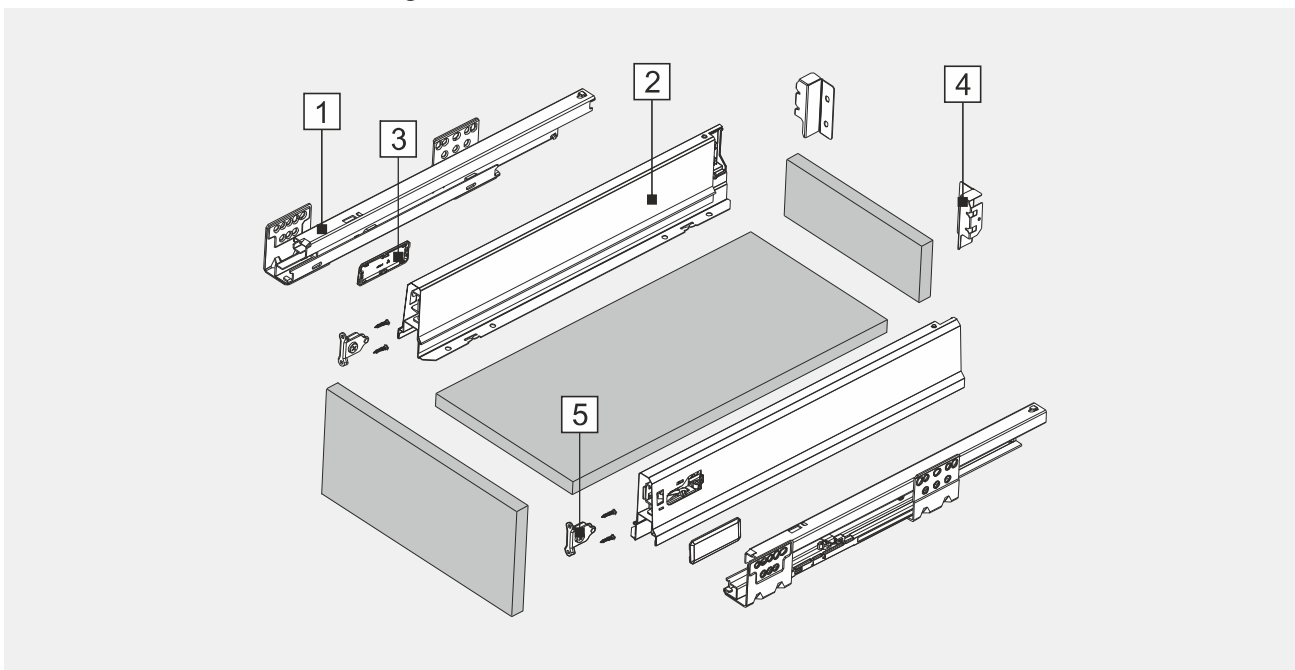


Order information

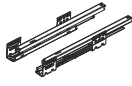
H80mm Deluxe Unibox		
Nominal length	Front fixing bracket Left/Right	The complete set basic components includes
	Metal	
270 mm	DBD1.270.(*).(#)	1.Concealed runners Left/Right
300 mm	DBD1.300.(*).(#)	2.Drawer side Left/Right
350 mm	DBD1.350.(*).(#)	3.Plastic covers 1*2pcs
400 mm	DBD1.400.(*).(#)	4.Back panel adapters Left/Right
450 mm	DBD1.450.(*).(#)	5.Front fixing brackets 1*2pcs
500 mm	DBD1.500.(*).(#)	
550 mm	DBD1.550.(*).(#)	


Remarks:
 (*) Height: A=80mm/C=130mm/D=190mm
 (#): Color: White (WT) / Silver(SV)/Dark grey(GR)

Product breakdown drawing

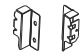


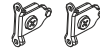


1. Concealed runners Left/Right		
Description	Nominal length	Concealed runners Left/Right
	270 mm	DBD.270SL
	300 mm	DBD.300SL
	350 mm	DBD.350SL
	400 mm	DBD.400SL
	450 mm	DBD.450SL
	500 mm	DBD.500SL
	550 mm	DBD.550SL

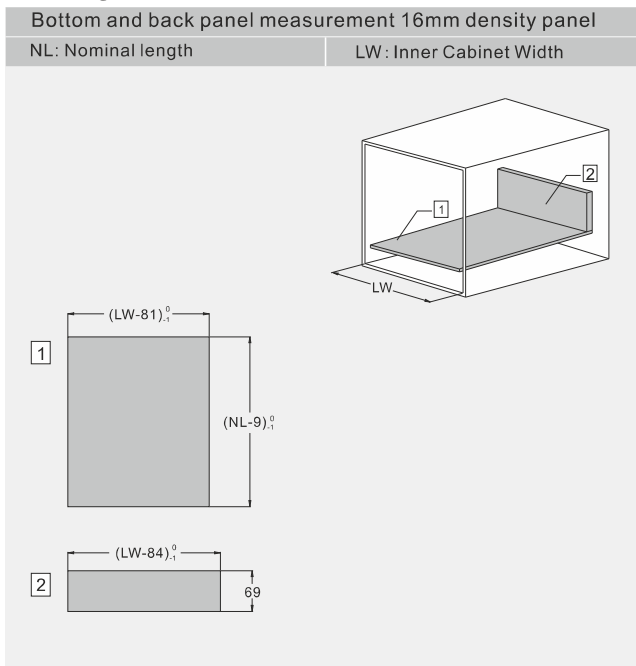
2. Drawer side Left/Right		
Description	Nominal length	Drawer side Left/Right
	270 mm	DBD.80*270W
	300 mm	DBD.80*300W
	350 mm	DBD.80*350W
	400 mm	DBD.80*400W
	450 mm	DBD.80*450W
	500 mm	DBD.80*500W
	550 mm	DBD.80*550W

3. Plastic covers		
Description		Plastic covers
		DA1101D1

4. Back panel adapters Left/Right		
Description		Back panel adapters Left/Right
		DA1103D1.80

5. Front fixing brackets Left/Right		
Description		Front fixing brackets Left/Right
Metal (32mm)		Metal
		DA1102D1

Cutting size



Runner Installation

